



Hi-efficiency

PALM

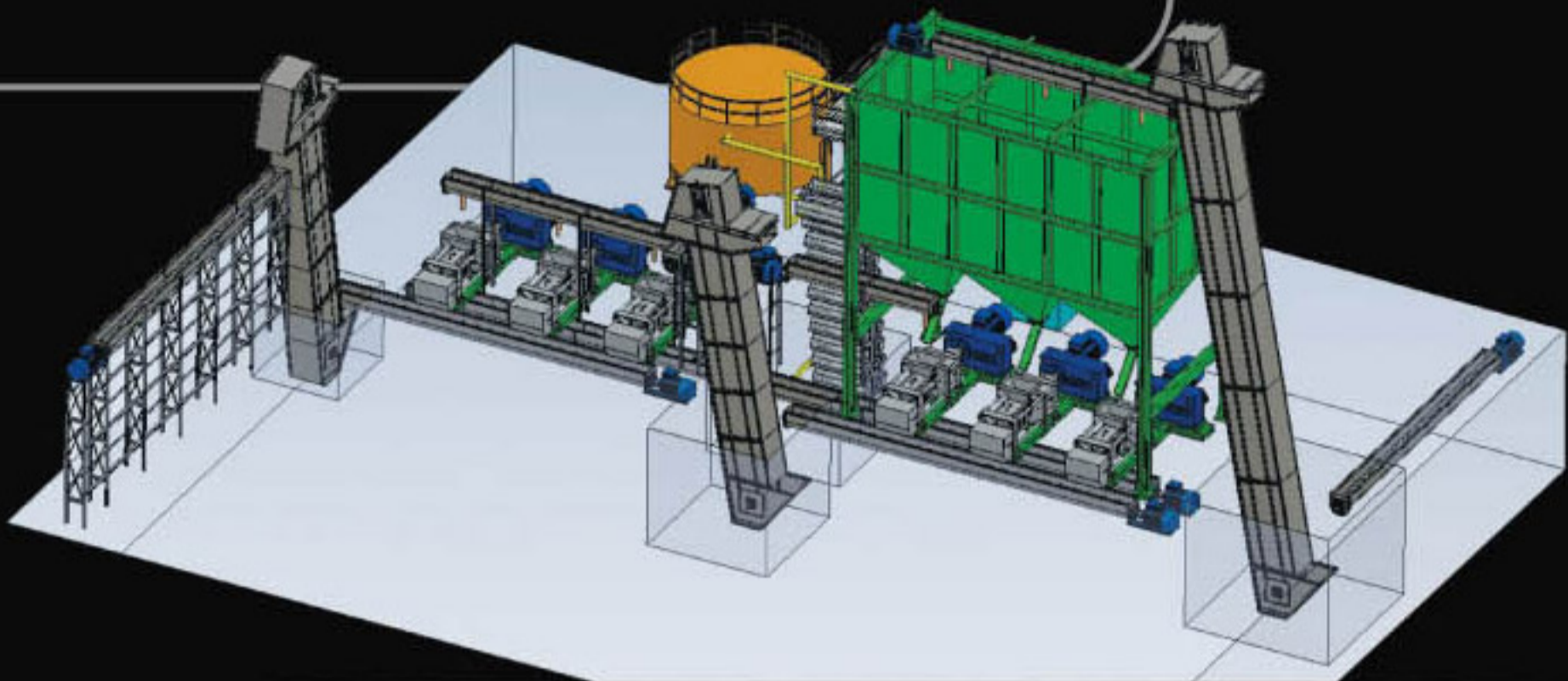
KERNEL

PRESS

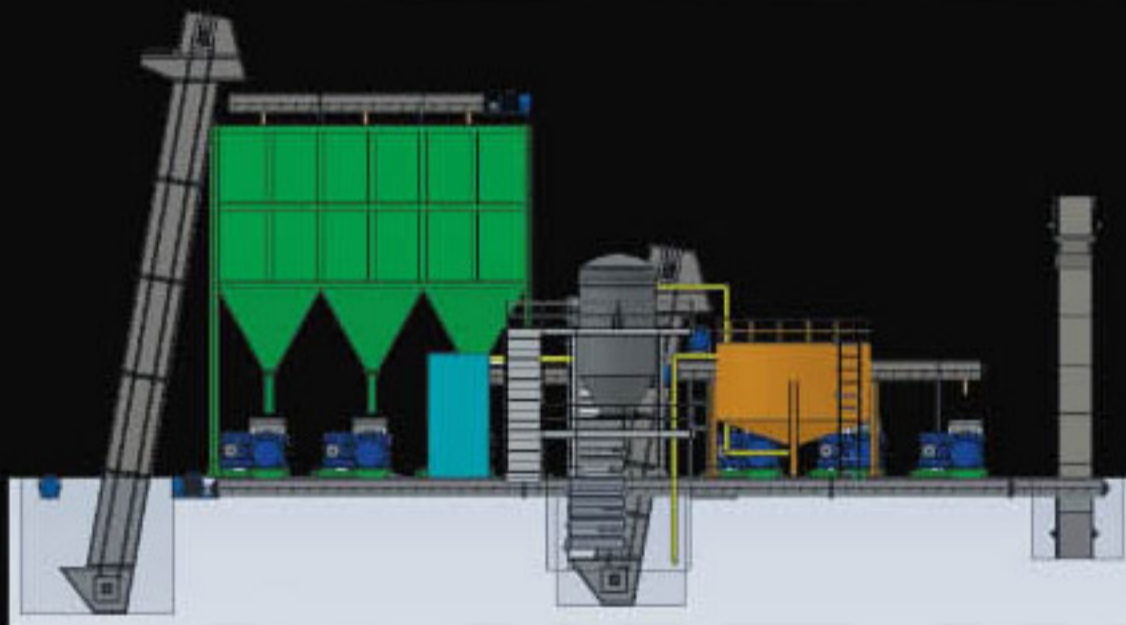


50-mtd Kernel Crushing Plant

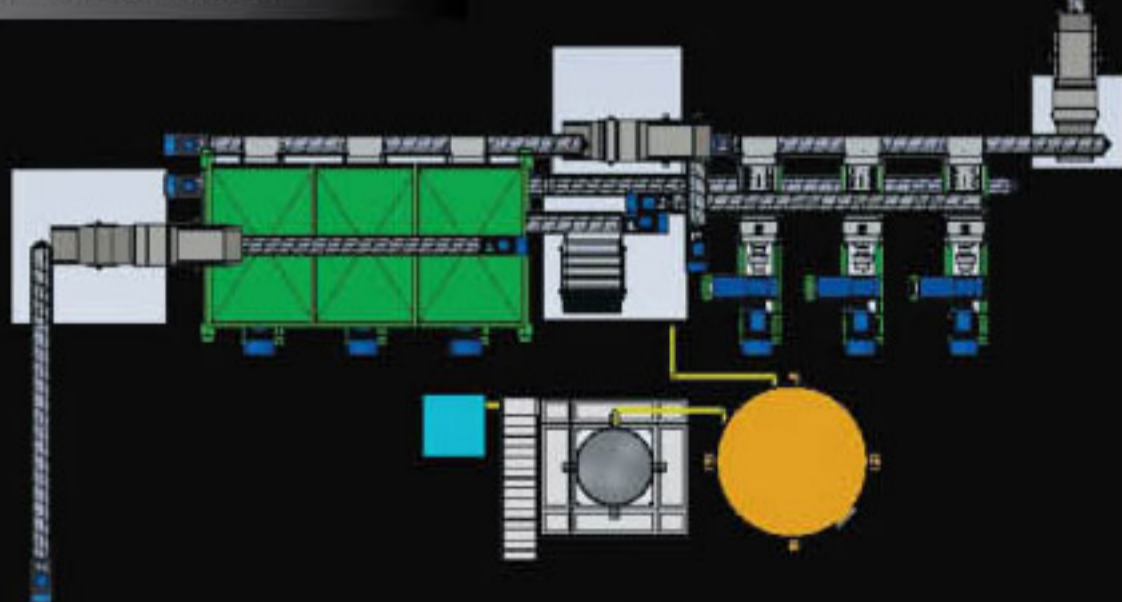
High Efficiency Palm Kernel Press



50-mtd Kernel Crushing Plant Perspective View



50-mtd Kernel Crushing Plant Side View



50-mtd Kernel Crushing Plant Top View

IPalm i'20PK

PALM KERNEL OIL EXPELLER

MODEL • i20 PK

CAPACITY

- 1st Pressing (Ton / 24 Hours) • 17-18 Mt
- 2nd Pressing (Ton / 24 Hours) • 10 - 11 Mt (1st pressed palm kernel cake)

PERFORMANCE

- After 1st pressing • 11% -12% oil content remain in cake
- After 2nd pressing • 6.5% - 7.5 % oil content remain in cake

GEARBOX

- IKIP 355 72,100 Nm Ratio 1:55 (Korea)

MOTOR

- Foot Mounted Squirrel Cage (IEC Standard)
75 HP / 55 KW

MAIN SHAFT

- 1st Pressing • ASSAB 709 or equivalent
- 2nd Pressing • ASSAB 709 or equivalent

WORM & COLLAR / WORM SCREW

- Cast Steel & Stainless Steel 304 -
(High Pressure Area) c/w Hardfacing
- Longer life with rebuilt more than 10 times***
- Reduce maintenance cost

FOUNDATION FRAME

- 6 in x 6 in x 20lbs. Universal Column

BEARING

- Thrust • 29436 - SKY Spherical Roller Thrust Bearing c/w Oil Bath
- Centre Block • 22324 - SKY Spherical Roller Bearing
- Back Block • 22324 - SKY Spherical Roller Bearing

APPROX. WEIGHT (KG)

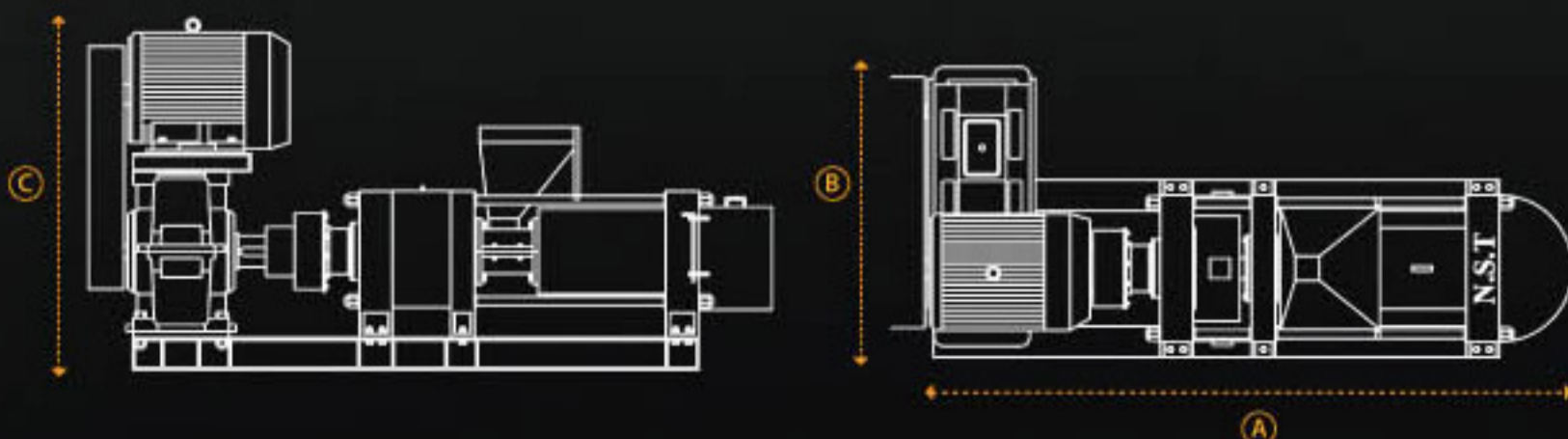
- 4190

DIMENSION

(A) Length (mm) - 4140

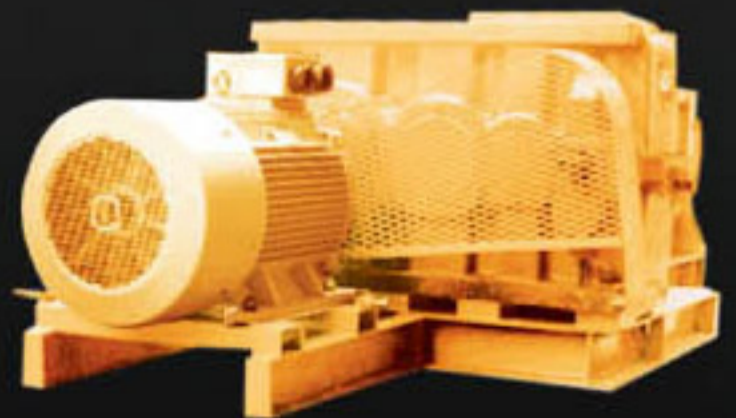
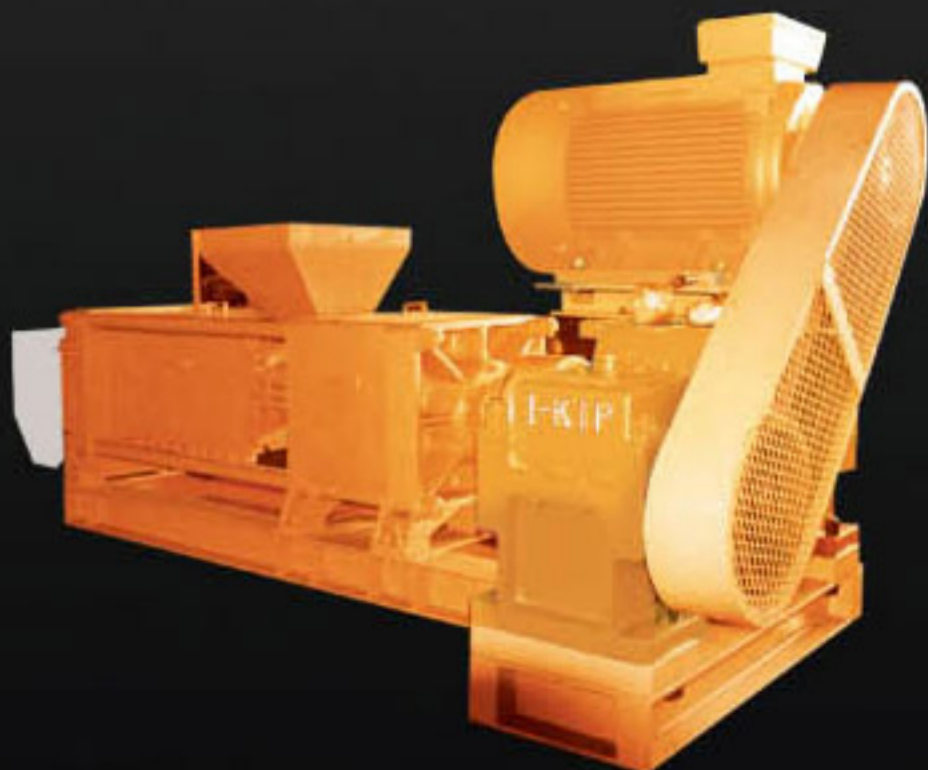
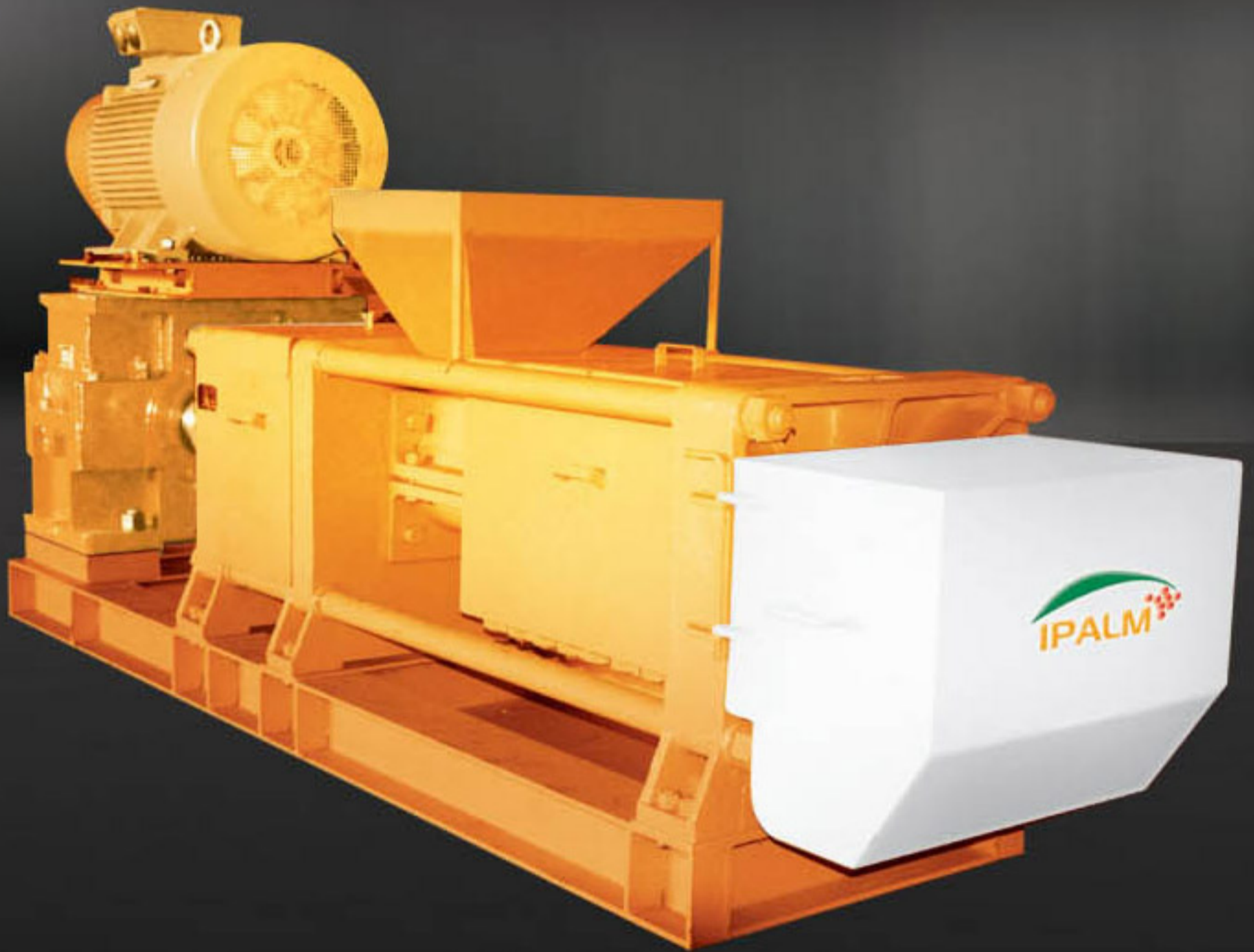
(B) Width (mm) - 1320

(C) Height (mm) - 952



IPALM *i'20PK / i'25PK*

Hi-efficiency **Palm Kernel Press**



IPalm i'25PK

PALM KERNEL OIL EXPELLER

MODEL

• I25 PK

CAPACITY

-1st Pressing (Ton / 24 Hours)

• 25-26 Mt

PERFORMANCE

-After pressing

• Less than 13 % oil content remain in cake

GEARBOX

• IKIP 355 72,100 Nm Ratio 1:55 (Korea)

MOTOR

• Foot Mounted Squirrel Cage (IEC Standard)
125 HP / 90 KW

MAIN SHAFT

-1st Pressing

• ASSAB 709 or equivalent

-2nd Pressing

• ASSAB 709 or equivalent

WORM & COLLAR / WORM SCREW

- Cast Steel & Stainless Steel 304 - (High Pressure Area) c/w Hardfacing
- Longer life with rebuilt more than 10 times***
- Reduce maintenance cost

FOUNDATION FRAME

• 6 in x 6 in x 20lbs. Universal Column

BEARING

-Thrust

• 29436 - SKY Spherical Roller Thrust Bearing c/w Oil Bath

-Centre Block

• 22324 - SKY Spherical Roller Bearing

-Back Block

• 22324 - SKY Spherical Roller Bearing

APPROX. WEIGHT (KG)

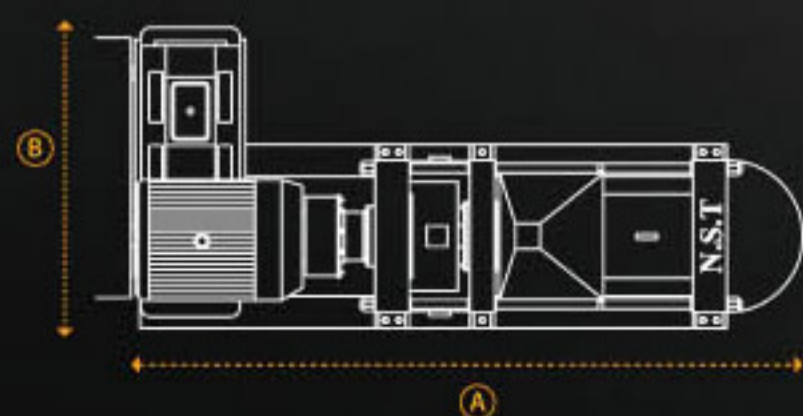
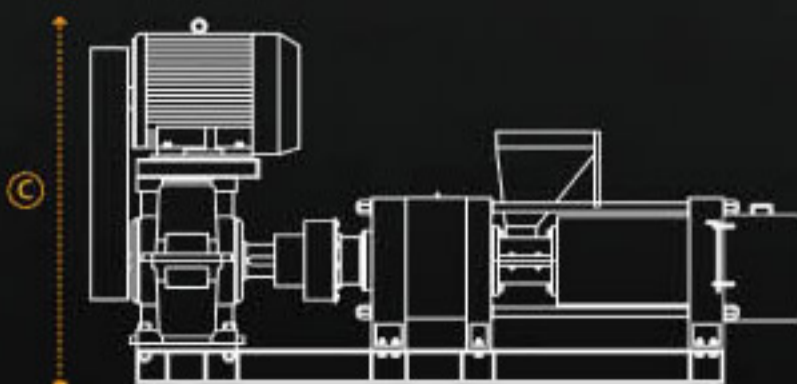
• 4510

DIMENSION

Ⓐ Length (mm) - 4267

Ⓑ Width (mm) - 1380

Ⓒ Height (mm) - 914



Our Clientele



IPALM (MALAYSIA) SDN BHD (691605-U)

No.36, Jalan 12/152, Taman Perindustrian OUG,
Batu 6, Jalan Puchong, 58200 Kuala Lumpur, Malaysia.

Tel : +603-7785 5811 Fax : +603-7784 4822

Email : info@ipalm.com.my Web : www.ipalm.com.my